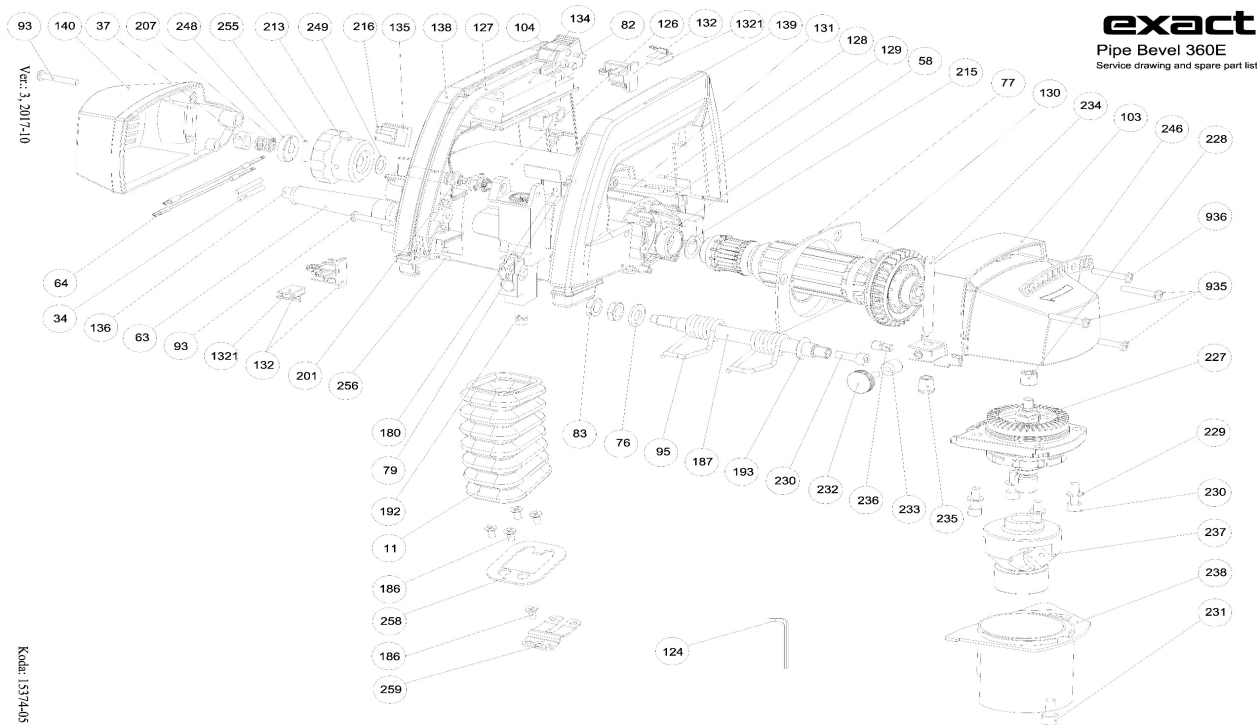


Exact PipeBevel 360E

Pos.	Part n:o	Description	Pcs/unit
2	10994-05	Spring plate	2
3	249424-00	Screw M4x6 ISO 7048	2
6	11177-00	Special screw M8x40	12
7	11564-10	Ball bearing 608 2RS 8/22-7 SA	4
8	11566-00	Flange bearing GFM-1012-09	1
9	11567-00	Flange bearing GFM-0810-05	1
10	11501-10	Gripper Wheel 22 SA	2
11	11497-00	Protection bellows 170	1
13	15362-05	Body profile360 painted	1
16	15373-10	Turning profile RH	1
16,5	15372-10	Turning profile LH	1
19	10910-35	Attachment block - top (plate)	2
165	15372-00	Turning profile LH	1
21	11665-10	Trapeze PB220E and nuts 17,18	1
22	15370-00	Pulling profile left side	2
22,1	15371-00	Pulling profile right side	2
23	10916-00	Screw support sleeve	2
24	10914-01	Rotary protector	1
25	590872-10	Cap head screw M6x16 black ISO 7380	5
27	15369-00	Shaft fi10x8,8	4
28	10080-01	Screw M5X12 DIN 7991 black	4
29	10913-20	Gripper knob	1
34	11616-20	Isolation silicon hose	3
37	725886	Hex nut M8 DIN985	3
58	11555-00	Rubber bushing	1
63	10951-10	Protective cable sleeving	1
64	11574-50	Carbon Brush Cable	1
70	11564-10	Ball bearing 608 2RS 8/22-7 SA	1
76	249223-00	Washer 8,4x16 DIN125A	1
77	11540-50	Air deflector	1
79	11561-20	Screw M4X20 ISO 14581 ZN BLUE	1
82	10983-04	Dowel pin 3x12 DIN 7	1
83	10985-00	Hex nut M8x1 DIN439	2
93	10986-03	PT Screw 4x20 T20	9
93,5	10986-04	PT Screw 4x22	4
93,6	10986-01	PF screw 4x30	1
95	11550-00	Lifting Spring 170	2
103	15318-00	Gearcase machined PB	1
104	11538-01	Locking Lever with Yellow indicator	1
124	725927	Allen key 5 BLACK	1
126	11526-00	Motor Body - GREY	1
127	11539-00	Draw Bar 170	1
128	11556-00	Temperature Sensor 170E	1
129	11573-01	Electronics unit 230 V SA	1
129	11573-51	Electronics Unit 100 - 120V SA	1
130	15378-00	Rotor assembly E 230V	1
130	15378-50	Rotor assembly E 110-120V	1
131	11554-00	Field Coil 230V E AND 100 - 120V E	1
132	11587-50	Brush Holder incl. brush SWU 100 - 120V	1
132	11559-50	Brush Holder with SWU 230V	1
132,1	11625-50	Carbon brush SWU 100 - 120V	2
132,1	11624-50	Carbon brush SWU 220-240V	2
134	11797-00	Electric switch Marquard	1
135	11560-00	Speed Sensor	1

Pos.	Part n:o	Description	Pcs/unit
136	10949-01	Power cord EU	1
136	11021-01	Power cord UK 3-pin round	1
136	11023-11	Power cord US 110V with ground	1
138	11530-75	Motor frame handle left GREY	1
139	11534-75	Motor frame handle right GREY	1
140	11518-00	End cup E - Grey	1
144,5	11191-10	Pipe Support 360 single	2
145	10973-11	PipeCut Bag 3	1
180	15314-35	Cable holder	1
186	249412-11	Screw M4x8 DIN965 zn black	5
187	15317-00	Main axis PB	1
192	15379-00	Transfer assembly - vertical	1
193	744361	Shim washer 10/16 s0.5 DIN 988	1
201	15380-00	Transfer assembly - horizontal	1
207	15352-05	Knob spring	1
213	15332-05	Knob	1
214	744628	Nut, protective M6 DIN 985	1
215	10248-00	Washer 12x18/0,5 DIN988	1
216	15333-00	Sensor plate	1
227	15342-00	Tool shaft assembly	1
228	15343-00	Needle Bearing	1
229	725269	Washer A5,4 DIN 125	4
230	10975-01	Screw M5x16 DIN 912	5
231	10976-12	Screw M6x12 DIN912 zn black	1
232	15344-00	Finger screw M4x16 DIN464	1
233	11794-20	Friction part	1
234	10983-10	Dowel pin 6x60 DIN7	1
235	15260-10	Plug fi6	1
236	15345-00	Screw M5x7	1
237	15346-00	Bevel blade assembly	1
238	15347-01	Blade cover	1
241	15350-05	Body panel PB	1
242	10080-10	Screw M6x12 DIN7991 black	4
244	15351-10	Guidance wheel plaid 22 SA	2
246	15359-00	Grid	1
248	15439-00	Pin guide	1
249	10248-10	Washer 8x14/0,2 DIN988	1
250	11175-00	Washer GTM-0818-010 DIN 7979	4
251	10273-20	Circlip 4 Fe DIN 6799	8
252	11001-01	Dowel pin 6x28	4
254	15365-00	Shaft fi6x22	4
255	325880-04	Pin 3x18 DIN6325	1
256	10983-05	Dowel pin 3x8 DIN 7	1
258	15315-00	Accordion base plate PB	1
259	15316-35	Fork	1



2 10994-05 Spring plate

2 136 10949-01 Power cord EU

1

